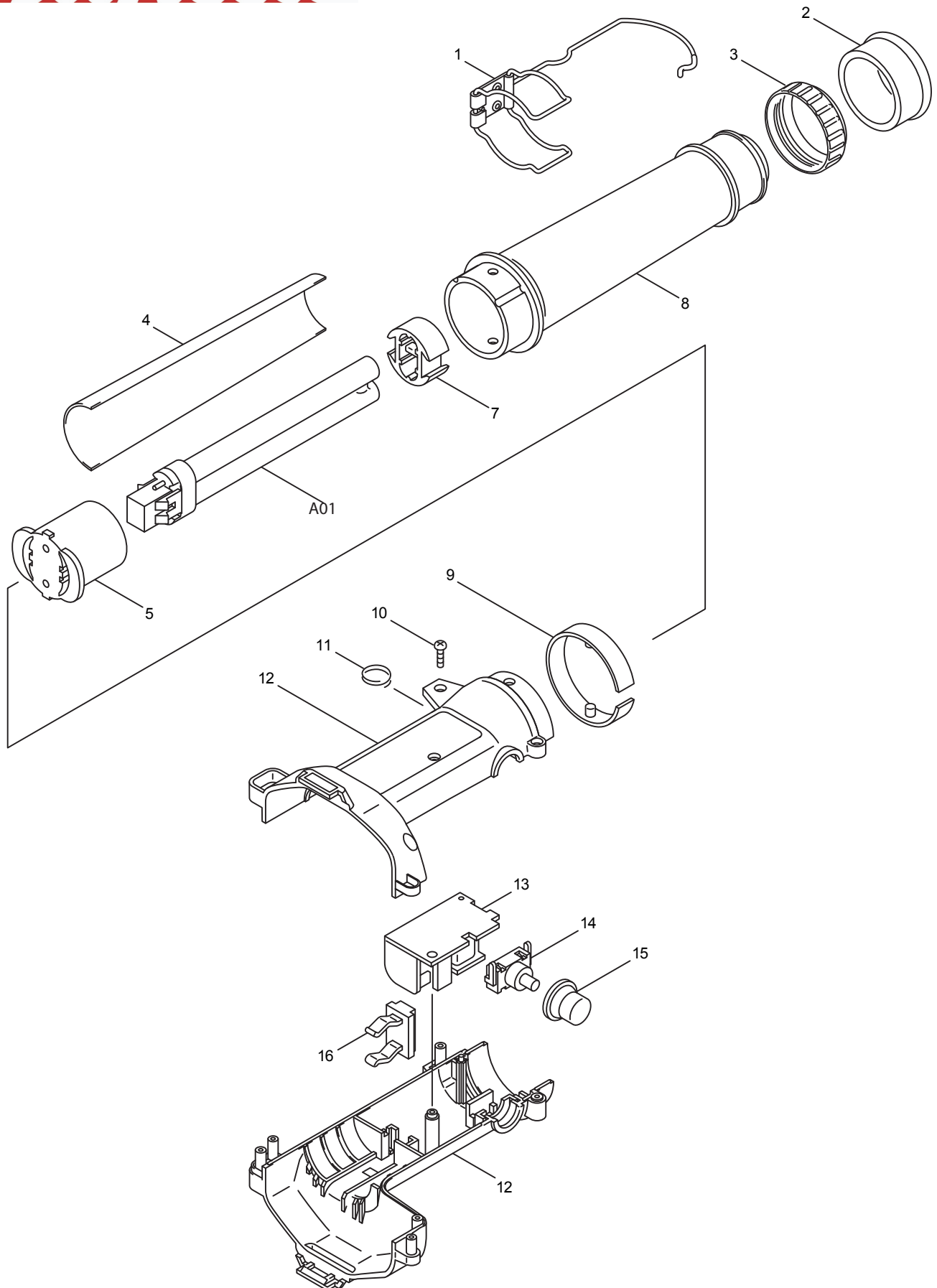




12 - 2010

ML183

18V FLOURESCENT FLASHLIGHT



Item No	Type	Ref	Part No	Description	Qty	Unit
1			SM00000300	HOOK	1	PC.
2			SM00000080	LAMP COVER PROTECTOR	1	PC.
3			SM00000316	SCREW RING	1	PC.
4			SM00000301	REFLECTOR	1	PC.
5			SM00000040	HOLDER	1	PC.
7			SM00000060	ABSORBER	1	PC.
8			SM00000070	LAMP COVER	1	PC.
9			SM00000315	C RING	1	PC.
10			265868-3	+ TAPPING SCREW 3X12	5	PC.
11			SM00000190	RING	1	PC.
12			SM00000312	HOUSING L/R SET	1	PC.
13			SM00000314	PRINTED CIRCUIT BOARD	1	PC.
14	1		SM00000030	SWITCH	1	PC.
	2		SM00000322	SWITCH	1	PC.
15			SM00000020	SWITCH COVER	1	PC.
16			SM00000140	BATTERY HOLDER	1	PC.
20			655000-B	PLUG FOR CIGARETTE LIGHTER	1	PC.

ACCESSORIES

A01			A-90978	FLUORESCENT TUBE	1	PC.
A02			192827-3	18V NI-CAD BTTRY 1822	1	PC.
			193159-1	18V NI-MH BTTRY 1834	1	PC.
			193140-2	18V NI-MH BTTRY 1835	1	PC.
A03			414938-7	BATTERY COVER	1	PC.
A04			DC1804	CHARGER DC1804	1	PC.
			DC1822	AUTOMOTIVE CHARGER DC1822	1	PC.